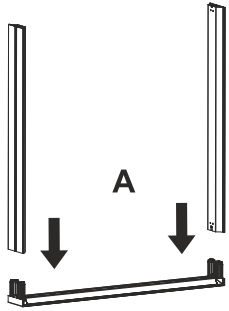
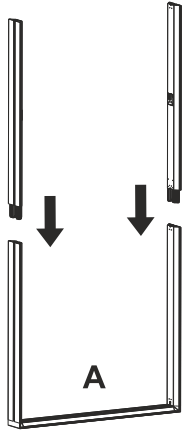


BBOXPFD100-300

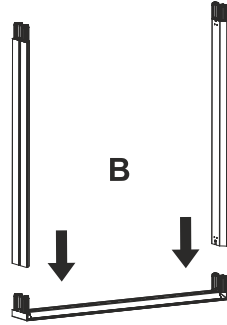
1 Connect parts 3 - 4



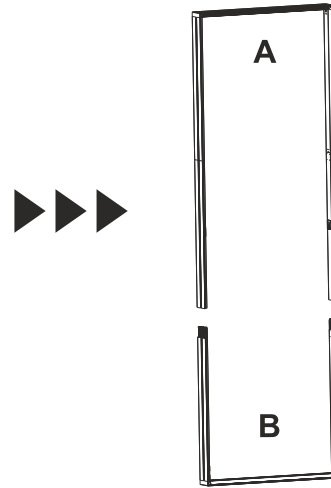
2 Install middle parts



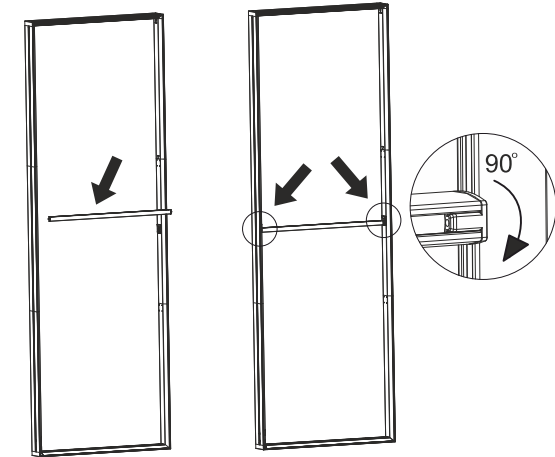
3 Connect parts 1-2



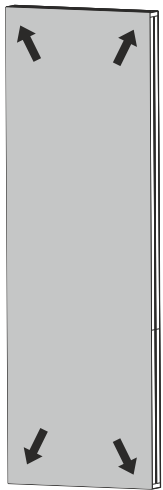
4 Complete frame



5 Install cross bar support



6 Install SEG graphics



7 Install feet

