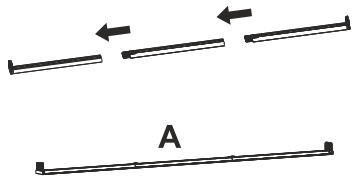
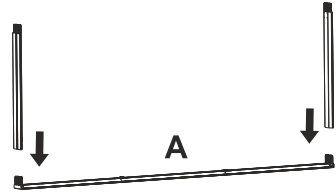


BBOXPFD300-300

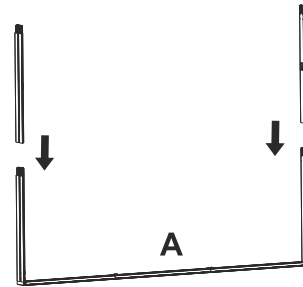
1 Setup bottom frame part



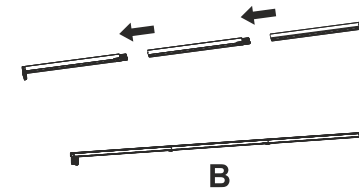
2 Connect vertical parts



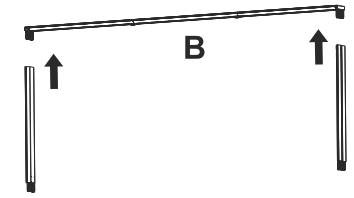
3 Add middle parts



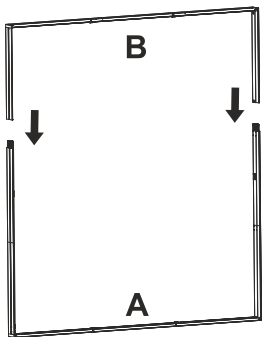
4 Setup top frame part



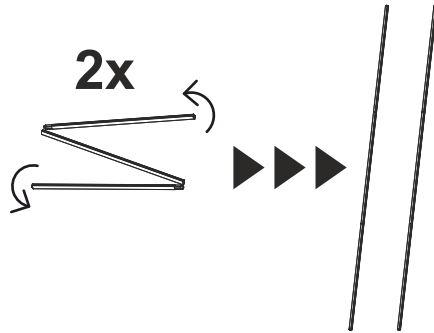
5 Connect vertical parts



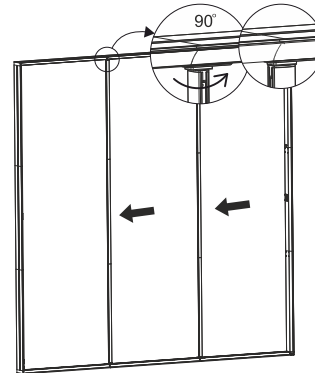
6 Complete the frame



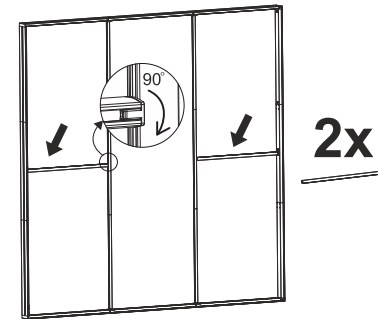
7 Setup verical supports



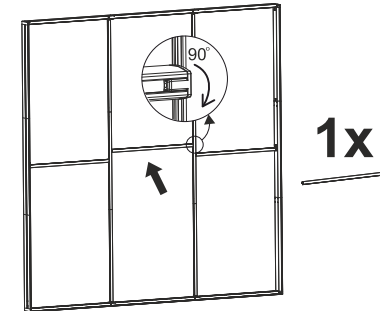
8 Install verical supports



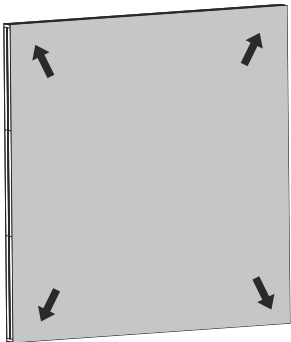
9 Install side supports



10 Install central support



11 Install SEG graphics



12 Install feet

