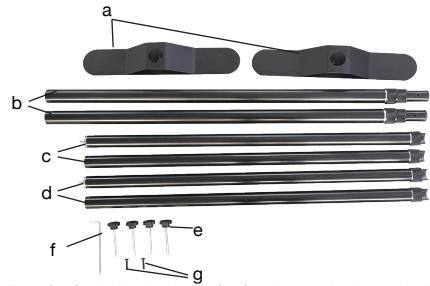


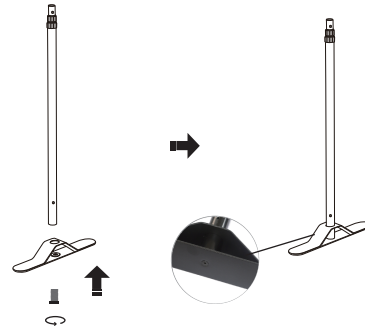
- 1** Open the bag and take out all the pieces.



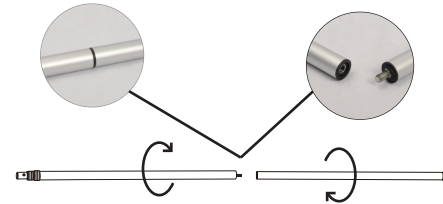
a. Feet (x 2) b. Vertical pole (x 2) c. Lower horizontal piece (x 2)  
d. Upper horizontal piece (x 2) e. Screw A (x 4) f. Allen wrench  
g. Screw B (x 2)

PS: Plastic arch degree of "d" is clearly larger than that of "c"

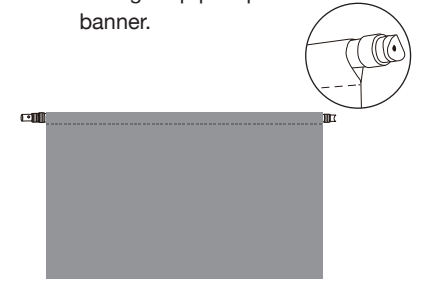
- 2** Insert vertical pole into the feet and fix by screw B.



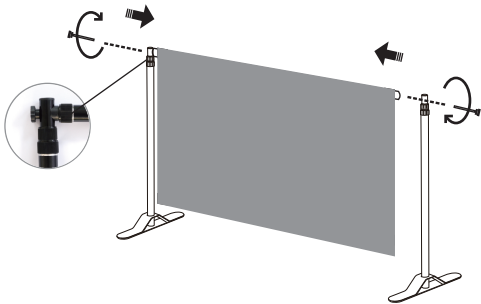
- 3** Screw on two upper horizontal pieces, and do the same to the lower horizontal pieces.



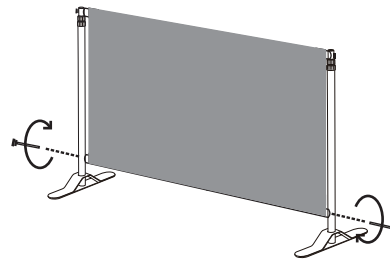
- 4** Slide the upper horizontal pole through top pole pocket on the banner.



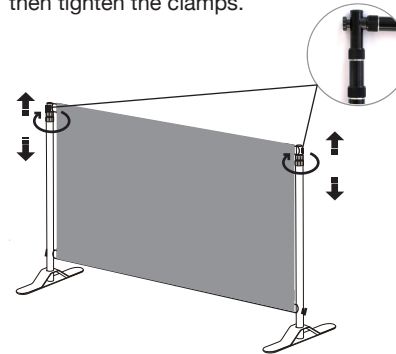
- 5** Fix upper horizontal pole by screw A.



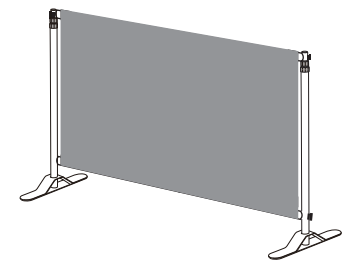
- 6** Slide the bottom horizontal pole through bottom pole pocket on the banner and fix it just like step 5.



- 7** Loosen the telescoping clamps on the vertical poles, adjust the banner to be well displayed, then tighten the clamps.



- 8** Then you have it.



Disassemble in the reverse order.

Caution: Make sure the graphic is folded neatly and save it in bag after using, to avoid wrinkle.

... **FLEX WALL**