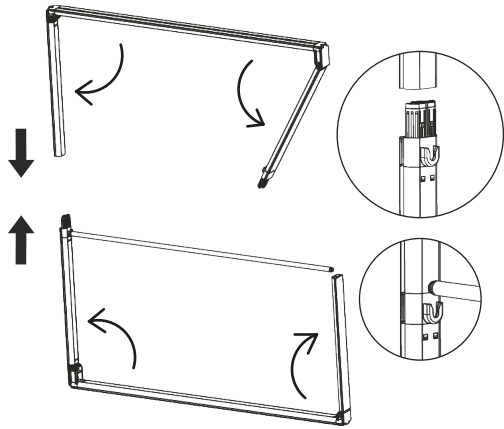
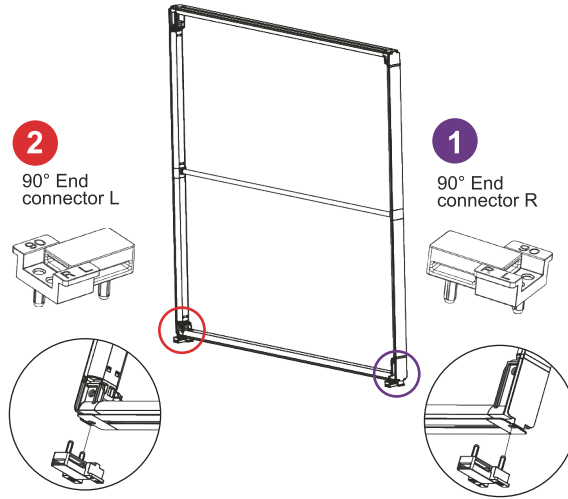


Flex Frame Counter I assembly

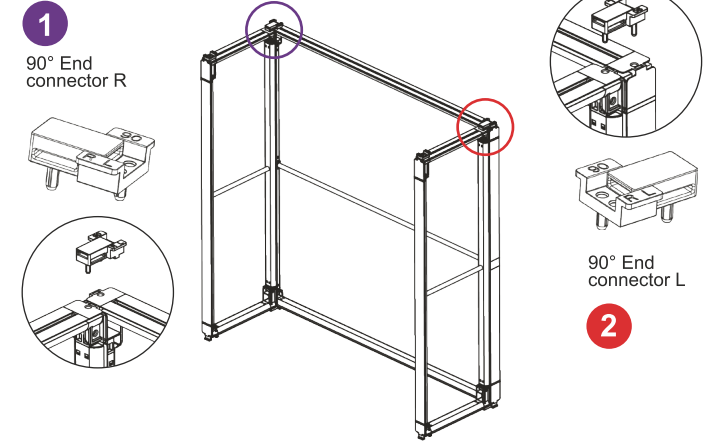
1 Unfold top and bottom profiles, connect them with same labels, then slide into supporting pole



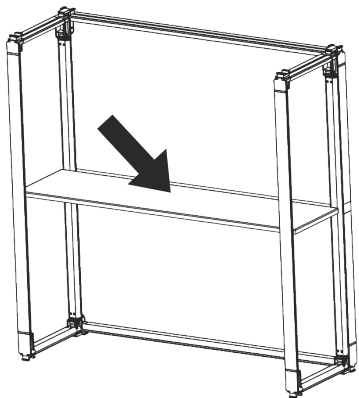
2 Insert 90° End connector L and R at bottom



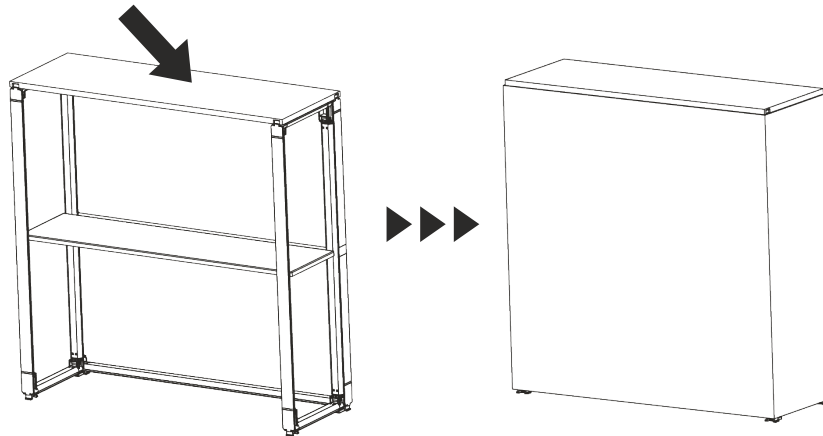
3 Install side panels by inserting into 90° End connectors on both top and bottom



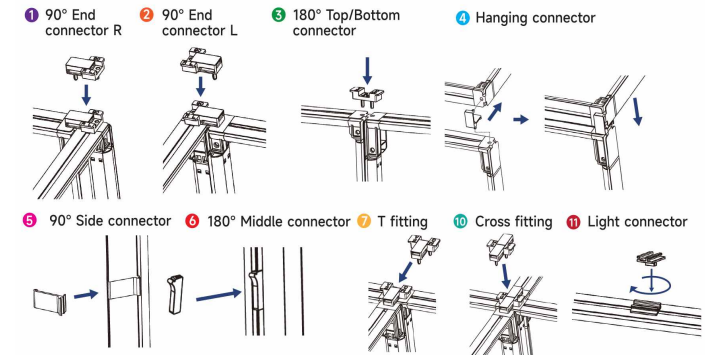
4



5



Connectors Overview



Disassemble in the reverse order.
Caution: Make sure the graphic is folded neatly and save it in bag after using, to avoid wrinkle.