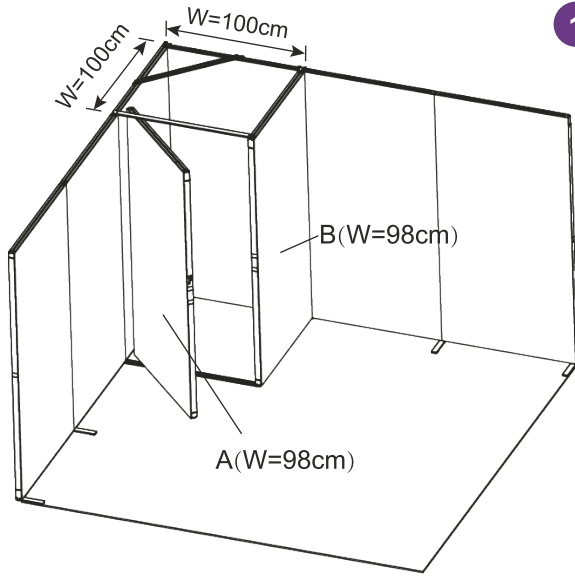
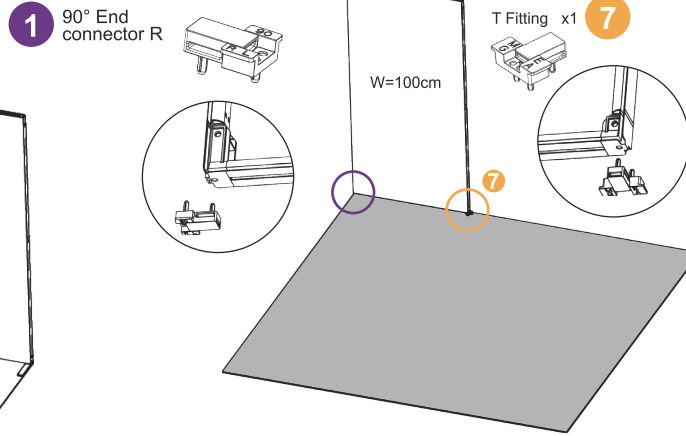


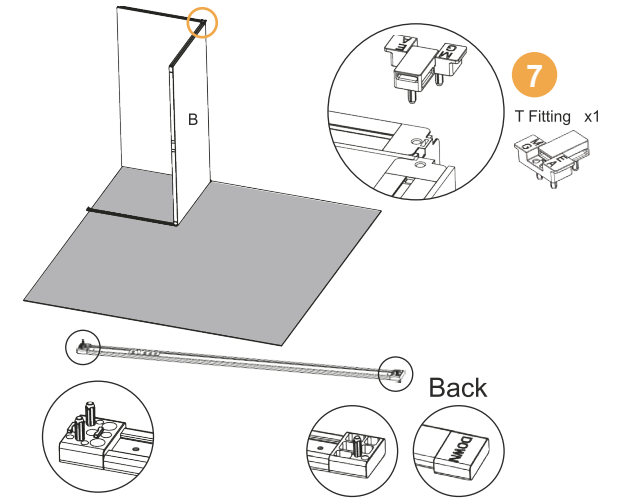
# Flex Frame Wall | Storage assembly



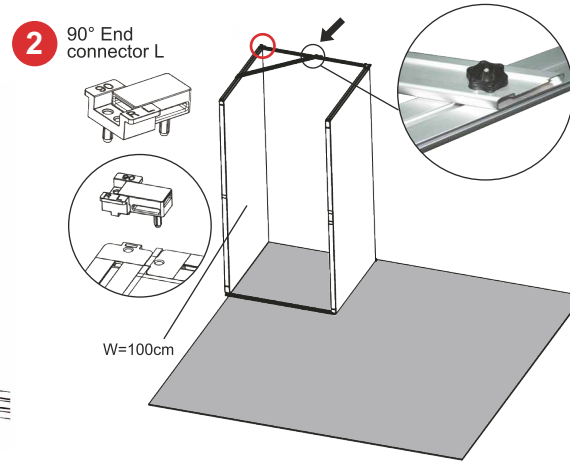
**1** Install 100cm wide frame with T fitting and 90° connector R at bottom



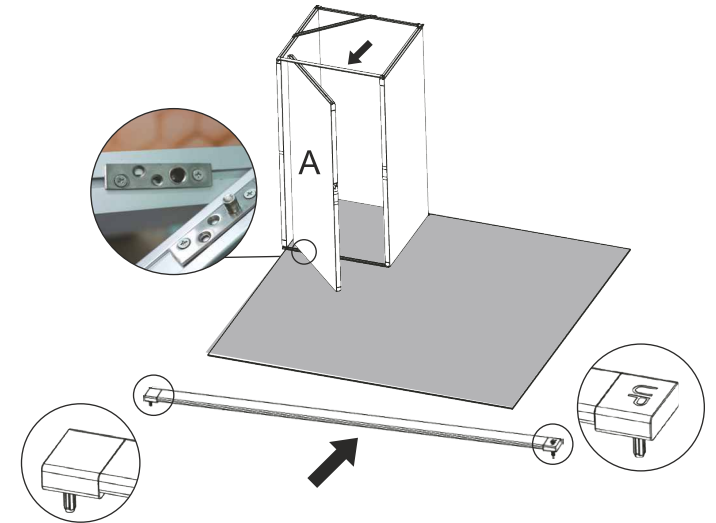
**2** Install Panel B, insert T fitting connector and Bottom Beam



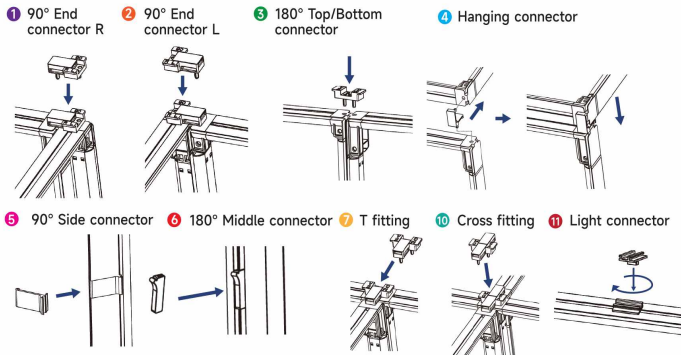
**3** Install another 100cm wide frame by inserting into 90° connector R and bottom beam. Install the reinforced bar with screws



**4** Install Panel A then install Top Beam



## Connectors Overview



Disassemble in the reverse order.  
Caution: Make sure the graphic is folded neatly and save it in bag after using, to avoid wrinkle.